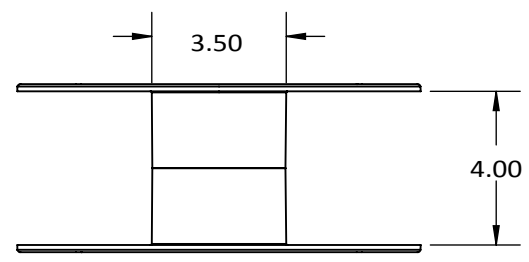
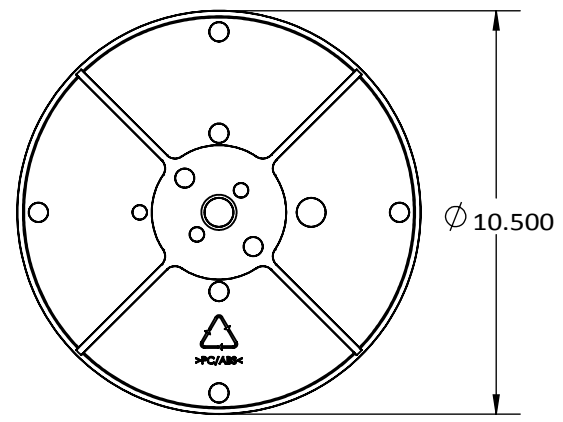
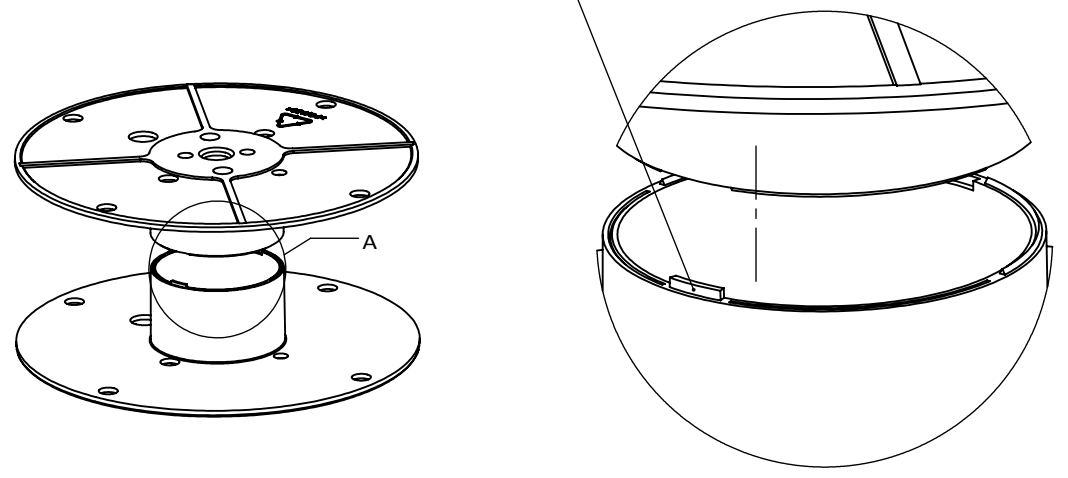


RoHS Compliance: Yes No
 CoC: Yes No CoA: Yes No

Rev.	Description	Checked By	Date	ECO No.
1.0	Initial Release	Haitao Zeng	2016/02/22	20160222-009



USE THIS STRUCTURE TO LOCATE 2 IDENTICAL PARTS, THEN START ULTRASONIC WELDING



DETAIL A
SCALE 2 : 3

Notes:

- COMPONENTS : 2PCS OF IDENTICAL PART " D10.5 -4T INCH UTILITY ".
- PROCESS : ULTRASONC WELDING
- TENTIAL TEST AND DROP TEST SHOULD BE APPLY FOR THE ULTRASONIC PART.
- A. TENTIAL TEST REQUIREMENTS: TBD
- B. DROP TEST REQUIREMENTS: TBD
- ASSEMBLY PART WEIGHT: 580 g .

	Model: R-EAP-2336-1	Rev: 1.0
	Part No: PZ-0300233601000101-R	
	Description: 10.5D-4T INCH UTILITY SPOOL ASSEMBLY	
Do not scale this drawing	Material: PC/ABS	Drawn By:
Tolerance: .X ±0.25 .XX ±0.13 X. ±1 Angular ± 1°	Scale: 1:5 Unit: Inch	Checked By:
	Size: A4 Sheet: 1/1	Approved By:
	Doc.No: E-03T-3259	Effective Date: